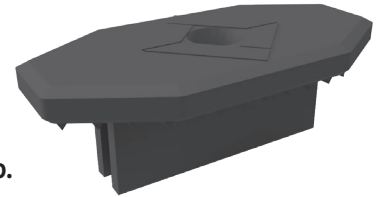


HIDDEN FASTENER INSTALLATION INSTRUCTIONS

Before installing your deck boards, review and follow all local building codes to ensure compliance. Also confirm the substructure joists, whether new or pre-existing, are level. Composite deck boards will follow any contour left by an unlevel substructure.

Please review and follow the MoistureShield Installation Guide, or installation instructions provided by your decking product's manufacturer, before starting any job.



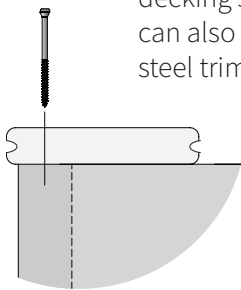
Step 1 - Install the Outside Edge of the First Board

Install the first board with one of the following methods to the ledger board at each joist intersection. Leave an appropriate gap abutting the house to allow for drainage based on your local building codes. Ensure the first board is straight and properly secured to prevent shifting of subsequent boards.

Pro Tip: AEGIS CLIP fasteners are available with stainless steel screws for coastal applications.

Option A: Face Screw the First Board

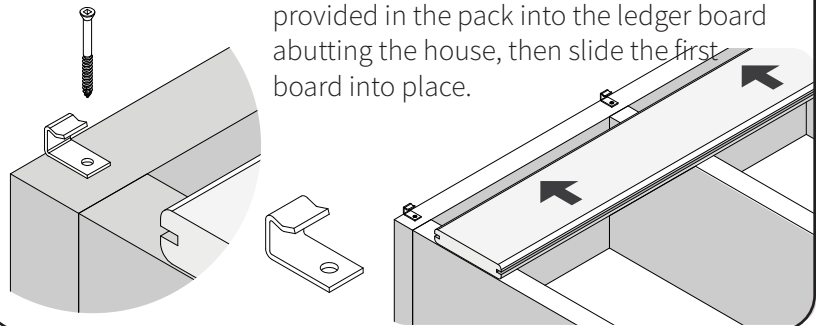
Use a color match composite decking screw. For Vantage, you can also use a 7 x 2-1/4" stainless steel trim head screw.



Fasten the outside edge of the first board to the ledger board abutting the house.

Option B: Install a Starter Clip (SOLD SEPARATELY)

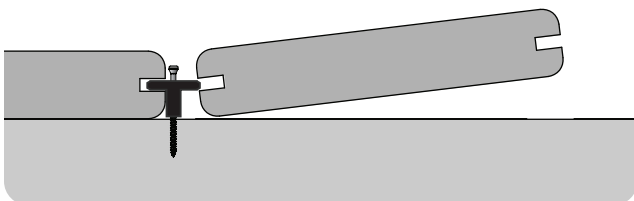
Secure the Starter Clip with the screws provided in the pack into the ledger board abutting the house, then slide the first board into place.



Step 2 - Install the AEGIS CLIP™ Hidden Fasteners



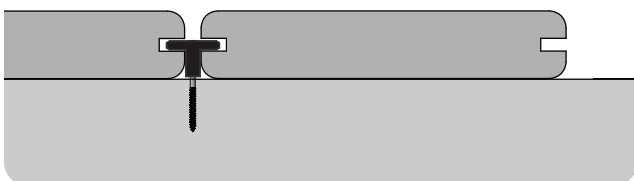
Insert the AEGIS CLIP Hidden Fastener into the open grooved edge of the deck board. Align the clip in the center of the joist; the clip will conceal the joist when properly installed.



Using the T-15 Star driver bit included in the pack, drive the screw down until it is 1/8" above the top of the clip. Do not fully tighten.

Slide another deck board into place and push or tap forward to ensure the board is flush against the AEGIS CLIP Hidden Fastener.

Check the clip is fully engaged with the groove and drive the screw into the clip. Be careful not to overtighten the screw to prevent bowing of the clip.



Continue installing the boards to the outer edge of the deck. Install a clip on each side of the board where it intersects with each joist.

Install and secure clips along one exposed board edge at a time to ensure a tight fit. **Do not lay out the entire deck with loose clips and drive all the screws as a last step.**

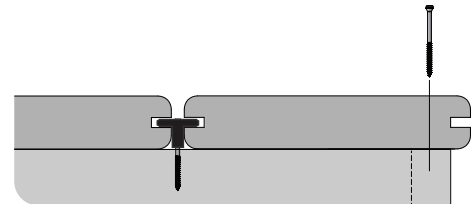
Step 3 – Install the Last Board

Install the last board with one of the following methods. If you plan to install fascia board to cover the rim joists, be sure to account for the thickness of the fascia when calculating the desired overhang on all sides of your deck.

Option A: Face Screw the Last Board

Use a color match composite decking screw. For Vantage, you can also use a 7 x 2-1/4" stainless steel trim head screw.

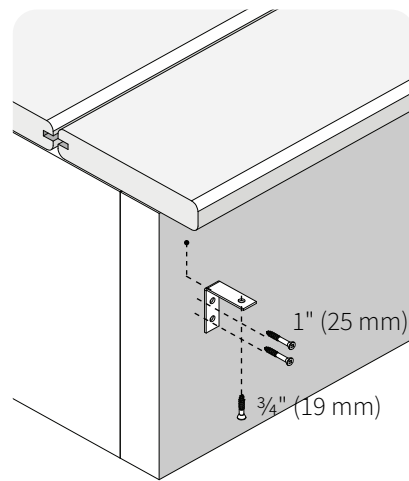
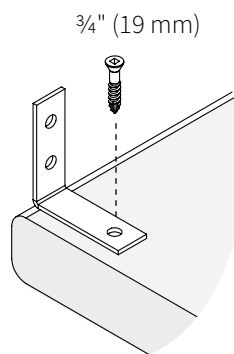
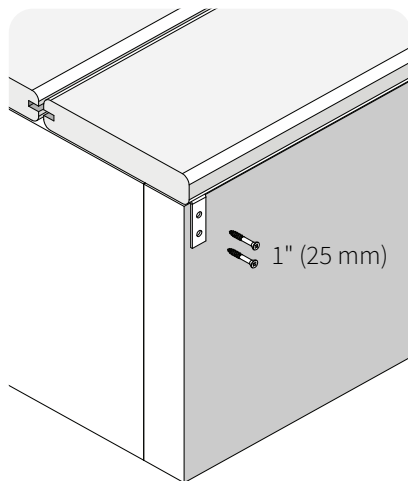
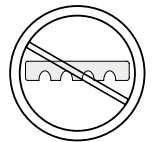
Fasten the outside edge of the last board to the rim joist.



Option B: Install a Finishing Clip (SOLD SEPARATELY)

The Finishing Clip can be installed 1 of 2 ways. Use a solid edge board as the final deck board to create a finished look. Cut the inside edge of the last board with a biscuit joiner or router.

Finishing Clips are only compatible with solid profiles to ensure proper bite into the bottom side of the board. **Do not use finishing clip with Elevate**



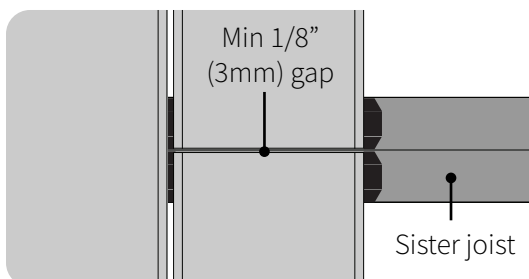
Confirm the maximum overhang before proceeding.

A. Flush to the outside edge of the rim joist:

Attach the Finishing Clip base (with one hole) to the underside of the board using the short screw provided in the pack. The leg should be flush with the outer edge of the deck board. Tap the inside edge of the last board into the final row of exposed clips. Secure the Finishing Clip leg (with two holes) into the joist with the long screws provided in the pack.

B. Overhang the outside edge of the rim joist:

Attach the Finishing Clip base (with one hole) to the underside of the board using the short screw provided in the pack. The leg should be placed where it will meet the rim joist. Tap the inside edge of the last board into the final row of exposed clips. Secure the Finish Clip leg (with two holes) into the joist with the long screws provided in the pack.



Butt Joints:

The end of each board that meets at a butt joint must be secured to a separate joist. Install sister joists as needed. **Review the Installation Guide for details about pinning boards.**

- For butt joints that are continuous the length of the joist, add a second joist to the primary joist to accommodate the second fastener.
- For random butt joints, secure a second piece of joist (approximately 18" in length) to the joint area.

For assistance using MoistureShield AEGIS CLIP Hidden Fasteners, contact our customer service team at 866.729.2378 or visit moistureshield.com.